

epati

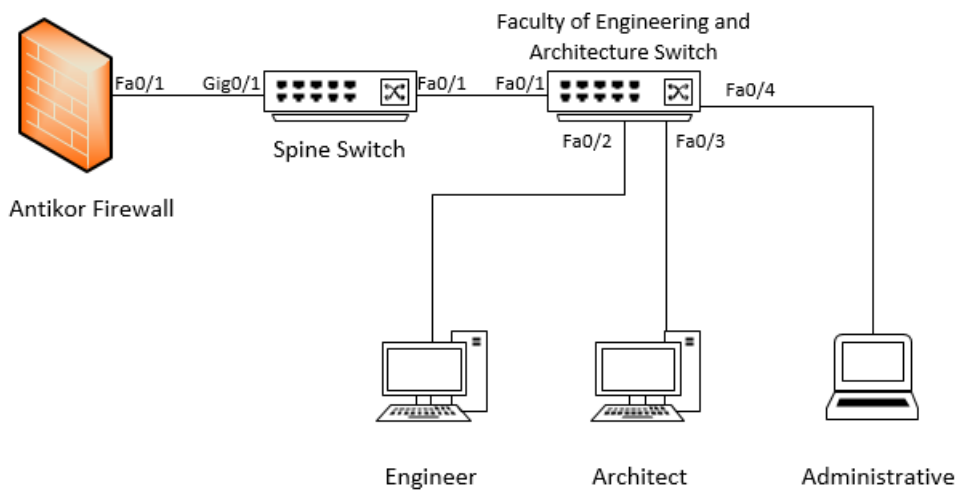
3Com Dual Layer Configuration Product: Antikor v2 - Next Generation Firewall Configuration Examples

3Com Dual Layer Configuration

Summary

Dual Layer Networking prepared to ensure LAN's traffic flow among themselves without reaching Antikor v2. If any client which in a LAN wants to reach an external address, it shall get service from Antikor v2 otherwise it wants to reach an internal but different LAN, it will suffice to get service from backbone switch.

Network Topology



Configuration

The configurations these are required for the backbone switch shown below:

Spine Switch

```
#
sysname Spine
#
ip route
#
spanning-tree mode pvst
#
Vlan1
  no ip address
  shutdown
#
interface Vlan-interface100
  description Engineer
  ip address 10.33.100.1 255.255.255.0
#
interface Vlan-interface101
  description Architect
  ip address 10.33.101.1 255.255.255.0
#
interface Vlan-interface102
  description Administrative
  ip address 10.33.102.1 255.255.255.0
#
interface Ethernet1/0/1
  description Engineer_Architect
  port link-type hybrid
  port hybrid vlan 100 to 102 tagged
  port hybrid vlan 1 untagged
#
interface GigabitEthernet1/0/1
  description Antikor
  port link-type hybrid
  port hybrid vlan 100 to 102 tagged
  port hybrid vlan 1 untagged
#
interface GigabitEthernet1/0/2
#
ip classless
#
ip flow-export version 9
#
interface NULL0
#
user-interface aux 0 7
  authentication-mode scheme
user-interface vty 0 4
  authentication-mode scheme
  protocol inbound ssh
#
return
```

Faculty of Engineering and Architecture Switch:

Note: Depending on demand, more endpoints can be carried as many times as desired.

```
#
sysname Engineer_Architect
#
ip route
#
spanning-tree mode pvst
#
Vlan1
  no ip address
  shutdown
#
interface Vlan-interface100
  description Engineer
  ip address 10.33.100.2 255.255.255.0
#
interface Vlan-interface101
  description Architect
  ip address 10.33.101.2 255.255.255.0
#
interface Vlan-interface102
  description Administrative
  ip address 10.33.102.2 255.255.255.0
#
interface Ethernet1/0/1
  port link-type hybrid
  port hybrid vlan 100 to 102 tagged
  port hybrid vlan 1 untagged
#
interface Ethernet1/0/2
  port access vlan 100
#
interface Ethernet1/0/3
  port access vlan 101
#
interface Ethernet1/0/4
  port access vlan 102
#
ip classless
#
ip flow-export version 9
#
interface NULL0
#
user-interface aux 0 7
  authentication-mode scheme
user-interface vty 0 4
  authentication-mode scheme
  protocol inbound ssh
#
return
```

Testing

From pc2 to pc0 tracert image;

```

Packet Tracer PC Command Line 1.0
PC>ipconfig

FastEthernet0 Connection: (default port)

Link-local IPv6 Address.....: FE80::201:43FF:FE47:A1B7
IP Address.....: 10.33.102.3
Subnet Mask.....: 255.255.255.0
Default Gateway.....: 10.33.102.1

PC>tracert 10.33.100.3

Tracing route to 10.33.100.3 over a maximum of 30 hops:

  0  0 ms    0 ms    0 ms    10.33.102.1
  1  *        0 ms    0 ms    10.33.100.3

Trace complete.

PC>

```

When we run traceroute from PC 2 to PC 0, we saw that the traffic did not go as far as Antikor v2 and turn around to right destination Network from Backbone Switch.

Please follow [Antikor v2 Dual Layer Configurations Manual](#) for required settings on the Antikor v2 side.

Troubleshooting

Runing Command	Error Message	Solution Suggestion
ping 10.2.1.2	— Ping statistics for 10.0.0.1 — 5 packets transmitted, 0 packets received, 100.0% packet loss	Check the status of the ports.
		Review VLAN settings.

ePati Cyber Security Technologies Inc.
Mersin Universitesi Ciftlikkoy Kampusu
Teknopark Idari Binasi Kat: 4 No: 411
Zip Code: 33343 Yenisehir / MERSIN / TURKIYE

www.epati.com.tr
info@epati.com.tr
+90 324 361 02 33
+90 324 361 02 39

