

epati

Cisco Dual Layer Configuration

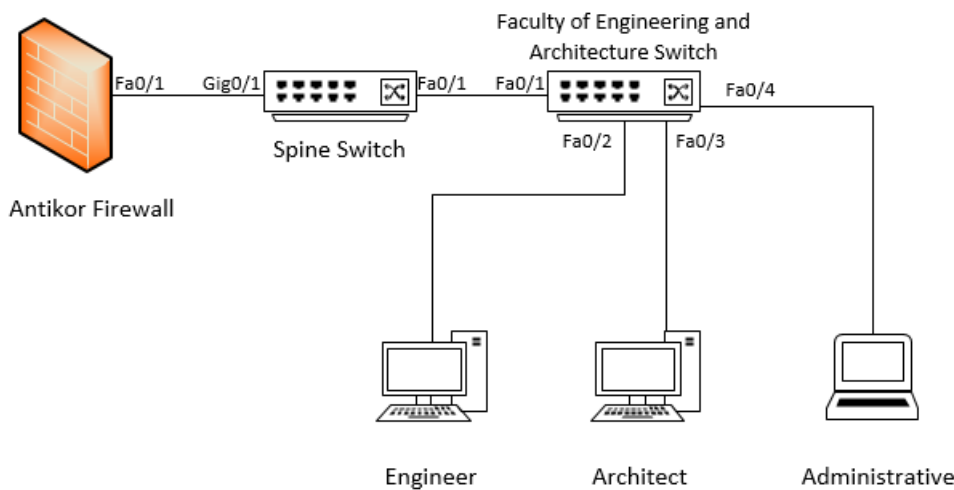
Product: Antikor v2 - Next Generation Firewall
Configuration Examples

Cisco Dual Layer Configuration

Summary

Dual Layer Networking prepared to ensure LAN's traffic flow among themselves without reaching Antikor v2. If any client which in a LAN wants to reach an external address, it shall get service from Antikor v2 otherwise it wants to reach an internal but different LAN, it will suffice to get service from backbone switch.

Network Topology



Configuration

The configurations these are required for the backbone switch shown below:

Spine Switch

Building configuration...

Current configuration : 1599 bytes

```
!  
version 12.2  
no service timestamps log datetime msec  
no service timestamps debug datetime msec  
no service password-encryption  
!  
hostname Spine_Switch  
!  
ip routing  
!  
spanning-tree mode pvst  
!  
!  
interface FastEthernet0/1  
  switchport trunk allowed vlan 100-102  
  switchport trunk encapsulation dot1q  
  switchport mode trunk  
!  
interface GigabitEthernet0/1  
  description Antikor  
  switchport trunk allowed vlan 100-102  
  switchport trunk encapsulation dot1q  
  switchport mode trunk  
!  
interface GigabitEthernet0/2  
!  
interface Vlan1  
  no ip address  
  shutdown  
!  
interface Vlan100  
  description Engineer  
  ip address 10.33.100.1 255.255.255.0  
!  
interface Vlan101  
  description Architect  
  ip address 10.33.101.1 255.255.255.0  
!  
interface Vlan102  
  description Administrative  
  ip address 10.33.102.1 255.255.255.0  
!  
ip classless  
!  
ip flow-export version 9  
!  
!  
line con 0  
!  
line aux 0  
!  
line vty 0 4  
  login  
!  
end
```

Note: Depending on demand, more endpoints can be carried as many times as desired.

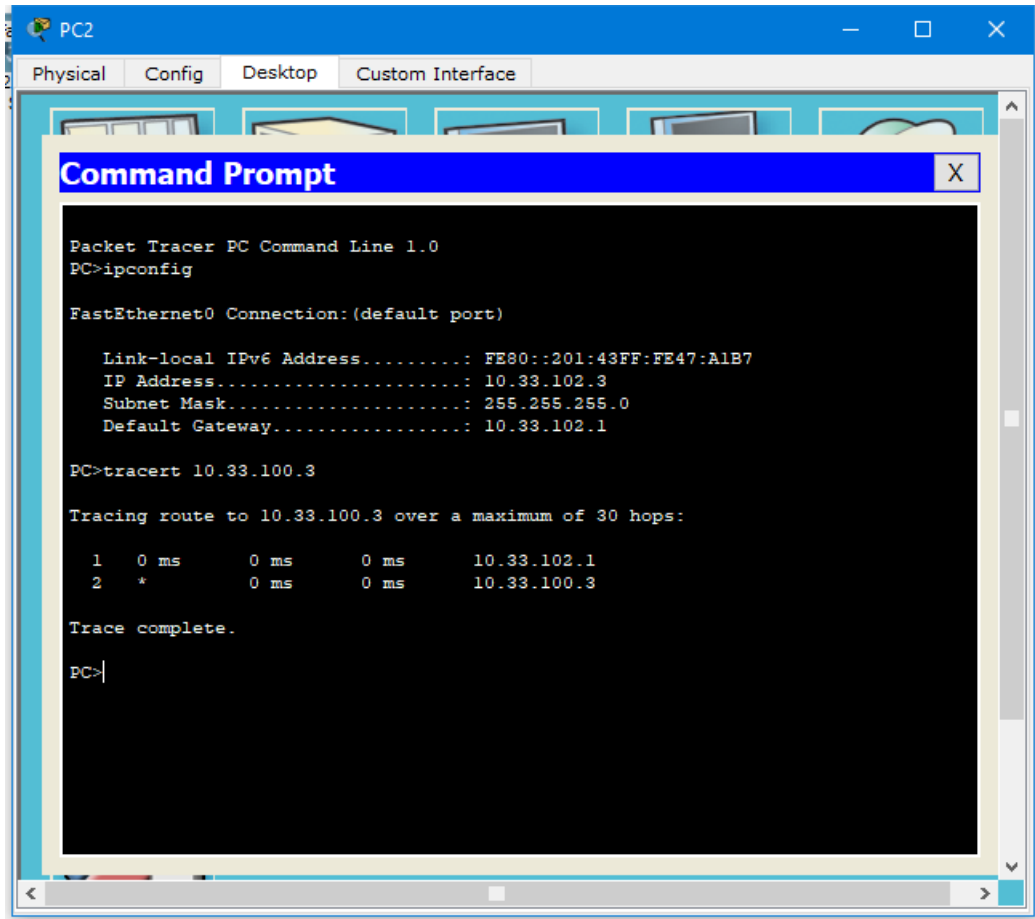
```
Building configuration...

Current configuration : 1562 bytes
!
version 12.2
no service timestamps log datetime msec
no service timestamps debug datetime msec
no service password-encryption
!
hostname Engineer_Architecture
!
!
!
!
ip routing
!
!
!
spanning-tree mode pvst
!
!
!
!
!
!
interface FastEthernet0/1
  switchport trunk allowed vlan 100-102
  switchport trunk encapsulation dot1q
  switchport mode trunk
!
interface FastEthernet0/2
  switchport access vlan 100
!
interface FastEthernet0/3
  switchport access vlan 101
!
interface FastEthernet0/4
  switchport access vlan 102
!
interface Vlan1
  no ip address
  shutdown
!
interface Vlan100
  description Engineer
  ip address 10.33.100.2 255.255.255.0
!
interface Vlan101
  description Architect
  ip address 10.33.101.2 255.255.255.0
!
interface Vlan102
  description Administrative
  ip address 10.33.102.2 255.255.255.0
!
ip classless
!
ip flow-export version 9
!
!
```

```
!
!
!
!
!
line con 0
!
line aux 0
!
line vty 0 4
  login
!
!
!
end
```

Testing

When we run traceroute from PC 2 to PC 0, we saw that the traffic did not go as far as Antikor v2 and turn around to right destination Network from Backbone Switch.



Please follow [Antikor v2 Dual Layer Configurations Manual](#) for required settings on the Antikor v2 side.

Troubleshooting

Executing Command	Error Message	Solution Proposal
<code>ping 10.2.1.2</code>	— Ping statistics for 10.0.0.1 — 5 packets transmitted, 0 packets received, 100.0% packet loss	Check the status of the ports.
		Review VLAN settings.

ePati Cyber Security Technologies Inc.
Mersin Universitesi Ciftlikkoy Kampusu
Teknopark Idari Binasi Kat: 4 No: 411
Zip Code: 33343 Yenisehir / MERSIN / TURKIYE

 www.epati.com.tr
 info@epati.com.tr
 +90 324 361 02 33
 +90 324 361 02 39

