

epati

H3C LACP Configuration

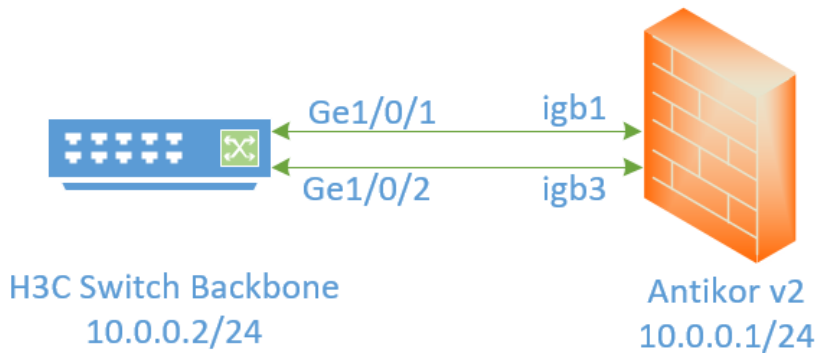
Product: Antikor v2 - Next Generation Firewall
Configuration Examples

H3C LACP Configuration

Summary

For Antikor lan line, 2 piece 1Gbit/sn load-balanced and will serve as a backup. 3Com switch is working as a backbone. **Link Aggregation Control Protocol (LACP)** :It is a protocol that enables simultaneous operation of multiple uplinks to provide higher bandwidth and redundant connection between two switches.

Network Topology



Configuration

The ethernet ports to be merged into the Member Ethernet area are entered.

Virtual Ethernet - Aggregation - New Record ×

Name	<input type="text" value="It will be automatically generated"/>
Member Ethernet	<input type="text" value="igb1 × igb3 ×"/>
Virtual Ethernet Type	<input type="text" value="Link Aggregation - LACP"/>
Description	<input type="text" value="For LAN"/>

Cancel
Save

#	Name	Virtual Ethernet Type	Member Ethernet	Description	Transactions
1	Virtual	Link Aggregation - LACP	isp1 isp3	For LAN	Edit Delete

< 1 >

```
[H3cSwitch] interface Bridge-Aggregation 1
[H3cSwitch] quit

[H3cSwitch] interface GigabitEthernet 1/0/1
[H3cSwitch] port link-aggregation group 1
[H3cSwitch] quit

[H3cSwitch] interface GigabitEthernet 1/0/2
[H3cSwitch] port link-aggregation group 1
[H3cSwitch] quit

[H3cSwitch] interface Bridge-Aggregation 1
[H3cSwitch] port link-type trunk
[H3cSwitch] quit
```

Testing

To check LACP settings on the H3C Switch side the used command “display link-aggregation verbose”

```
Loadsharing Type: Shar -- Loadsharing, NonS -- Non-Loadsharing
Port Status: S -- Selected, U -- Unselected, I -- Individual
Flags: A -- LACP_Activity, B -- LACP_Timeout, C -- Aggregation,
D -- Synchronization, E -- Collecting, F -- Distributing,
G -- Defaulted, H -- Expired
```

```
Aggregate Interface: Bridge-Aggregation1
Aggregation Mode: Static
Loadsharing Type: Shar
Port          Status  Priority Oper-Key
-----
GE1/0/1      S       32768   1
GE1/0/2      S       32768   1
```

For Antikor v2 LACP settings [Antikor v2 LACP Configuration](#) follow the documents.

Troubleshooting

Executing Command	Error Messages	Solution Proposal
ping 10.0.0.1	— Ping statistics for 10.0.0.1 — 5 packets transmitted, 0 packets received, 100.0% packet loss	<code>display interface GigabitEthernet 1/0/1</code> with command the port make sure active.
		The port make sure it is not shutdown.
		On the Antikor v2 make sure apply settings.

Teknopark Idari Binasi Kat: 4 No: 411
Zip Code: 33343 Yenisehir / MERSIN / TURKIYE

+90 324 361 02 33
+90 324 361 02 39

