

epati

HP Dual Layer Configuration

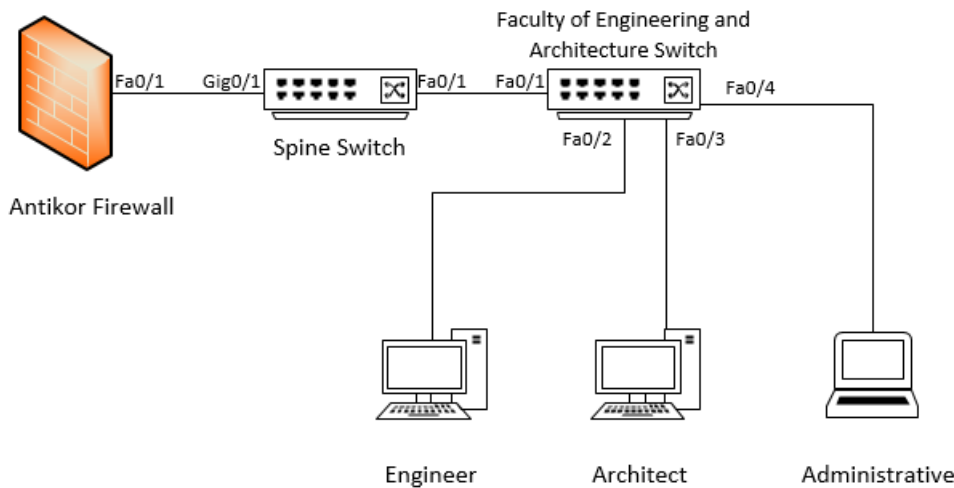
Product: Antikor v2 - Next Generation Firewall
Configuration Examples

HP Dual Layer Configuration

Summary

Dual Layer Networking prepared to ensure LAN's traffic flow among themselves without reaching Antikor v2. If any client which in a LAN wants to reach an external address, it shall get service from Antikor v2 otherwise it wants to reach an internal but different LAN, it will suffice to get service from backbone switch.

Network Topology



Configurations

The configurations these are required for the backbone switch shown below:

Spine Switch

Running configuration:

```
; J9019B Configuration Editor; Created on release #Q.11.17
```

```
hostname "Spine_Switch"
snmp-server community "public" Unrestricted
vlan 1
  name "DEFAULT_VLAN"
  exit
vlan 100
  name "Engineer"
  ip address 10.33.100.1 255.255.255.0
  tagged 1-2
  exit
vlan 101
  name "Architect"
  ip address 10.33.101.1 255.255.255.0
  tagged 1-2
  exit
vlan 102
  name "Administrative"
  ip address 10.33.102.1 255.255.255.0
  tagged 1-2
  exit
aaa authentication telnet login radius local
aaa authentication telnet enable radius local
aaa authentication ssh enable radius local
end
```

Faculty of Engineering and Architecture Switch

Note: Depending on demand, more endpoints can be carried as many times as desired.

```
Running configuration:

; J9019B Configuration Editor; Created on release #Q.11.17

hostname "Engineer_Architect"
snmp-server community "public" Unrestricted
vlan 1
  name "DEFAULT_VLAN"
  exit
vlan 100
  name "Engineer"
  ip address 10.33.100.2 255.255.255.0
  tagged 1
  untagged 2
  exit
vlan 101
  name "Architect"
  ip address 10.33.101.2 255.255.255.0
  tagged 1
  untagged 3
  exit
vlan 102
  name "Administrative"
  ip address 10.33.102.2 255.255.255.0
  tagged 1
  untagged 4
  exit
```

Testing

When we run traceroute from PC 2 to PC 0, we saw that the traffic did not go as far as Antikor v2 and turn around to right destination Network from Backbone Switch.

```
Packet Tracer PC Command Line 1.0
PC>ipconfig

FastEthernet0 Connection: (default port)

Link-local IPv6 Address.....: FE80::201:43FF:FE47:A1B7
IP Address.....: 10.33.102.3
Subnet Mask.....: 255.255.255.0
Default Gateway.....: 10.33.102.1

PC>tracert 10.33.100.3

Tracing route to 10.33.100.3 over a maximum of 30 hops:

  1  0 ms      0 ms      0 ms      10.33.102.1
  2  *         0 ms      0 ms      10.33.100.3

Trace complete.

PC>|
```

Please follow [Antikor v2 Dual Layer Configurations Manual](#) for required settings on the Antikor v2 side.

Troubleshooting

Executing Command	Error Message	Solution Proposal
<code>ping 10.2.1.2</code>	— Ping statistics for 10.0.0.1 — 5 packets transmitted, 0 packets received, 100.0% packet loss	Check the status of the ports.
		Review VLAN settings.

ePati Cyber Security Technologies Inc.
Mersin Universitesi Ciftlikkoy Kampusu
Teknopark Idari Binasi Kat: 4 No: 411
Zip Code: 33343 Yenisehir / MERSIN / TURKIYE

 www.epati.com.tr
 info@epati.com.tr
 +90 324 361 02 33
 +90 324 361 02 39

